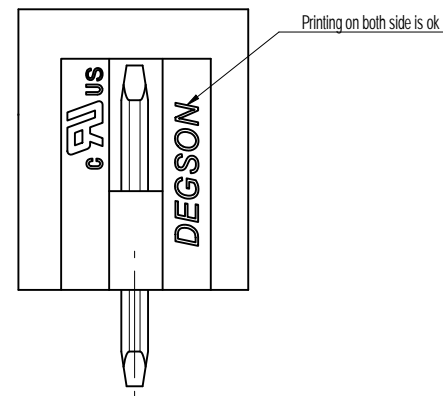
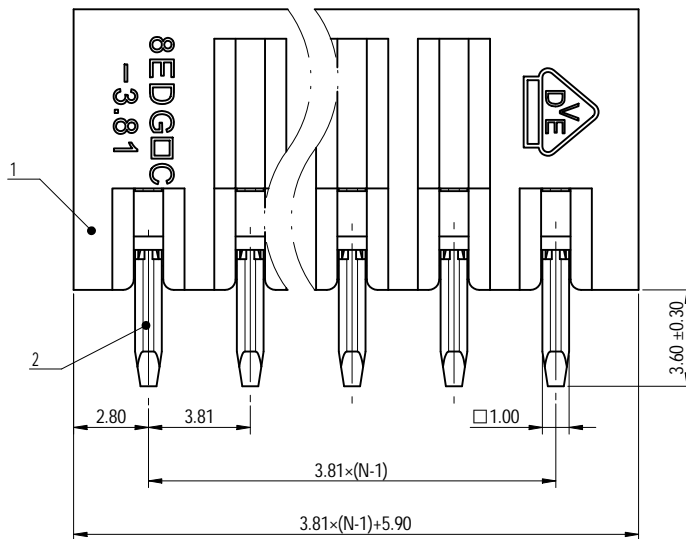
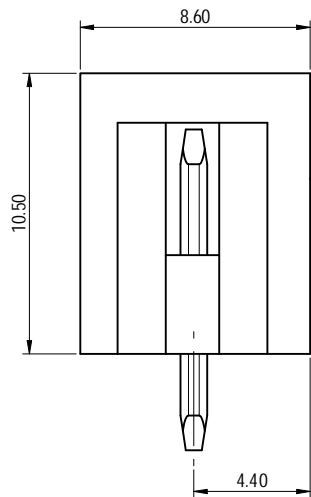
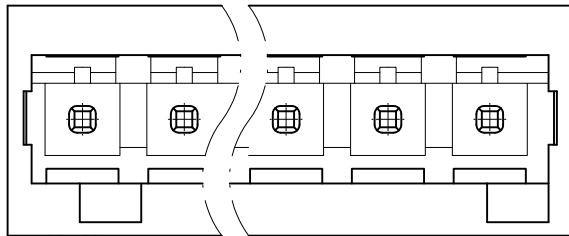
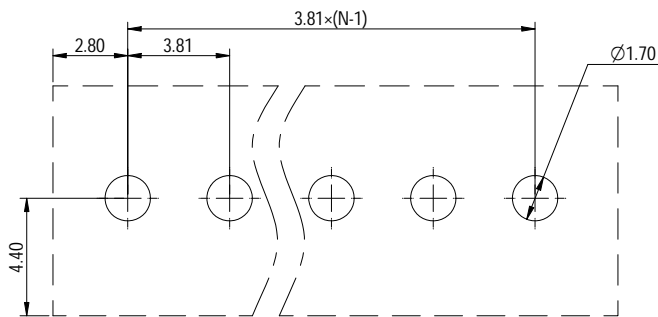


公差/General tolerances (mm)													D	
0	>3	>6	>10	>18	>30	>50	>80	>120	>180	>250	>315	>400	>500	0.1/10
~	~	~	~	~	~	~	~	~	~	~	~	~	~	N
±0.12	±0.18	±0.22	±0.26	±0.31	±0.37	±0.57	±0.80	±0.93	±1.05	±1.15	±1.60	±2.20	±2.50	±2



PCB LAYOUT



Note: The A&Z(H) in the name means: A(H) and Z(H).

ITEM	NAME OF PART	MATERIAL	NOTES
2	Pin header	Copper alloy	Sn Plated
1	Housing	PA66	UL94V-0

UL 标准/UL Standard:	B	C	D
额定电压/电压/Rated Voltage(V)/Current(A)	300/10	/	/
IEC 标准/IEC Standard:			
过压类别/Overvoltage Category/污染等级/Pollution Degree	III/3	II/2	II/2
额定电压/电压/Rated Voltage(V)/Current(A)	130/10	/	/
额定脉冲电压(KV)/Rate Impulse Voltage(KV)	2.5	/	/
间距/Pitch(mm)/线数范围/Poles		3.81/N=02-24P	
使用温度范围/Operating temperature(°C)		-40~+105	
符合RoHS环保要求/Conform to RoHS		Yes	

DEGSON		MATERIAL:	SURFACE/COLOR: PANTONEC 428C		
APPD: 蓝美凡	2023.01.06	MAT NO./REV:	- / 00		
CHKD: 曹利彬	2023.01.04	NAME:	8EDGVC-3.81-XXP-11-01A&Z(H)		
DRFT: 姜民浩	2022.12.27	DRAWING NO.	200126540	TYPE	CUSTOMER DRAWING
00	ECN	DESCRIPTION	姜民浩	DATE	2022.12.27
REV	ECN	DESCRIPTION	姜民浩	DATE	2022.12.27
		A3		SCALE	1:1
		1/1		DRAWING STATUS	已发布

Transfer or duplication of this document as well as the utilization of its contents without the written permission of the copyright holder is prohibited. All rights reserved for patent.