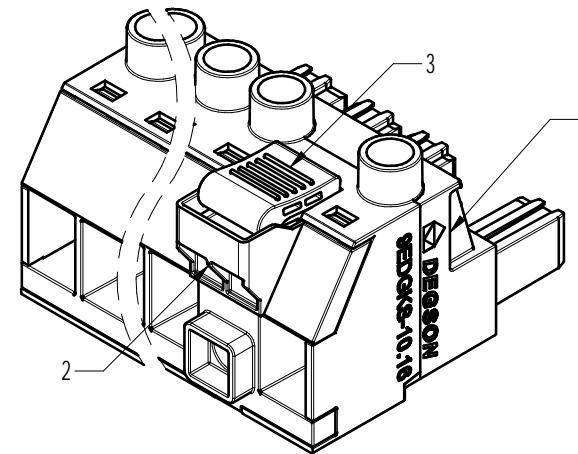
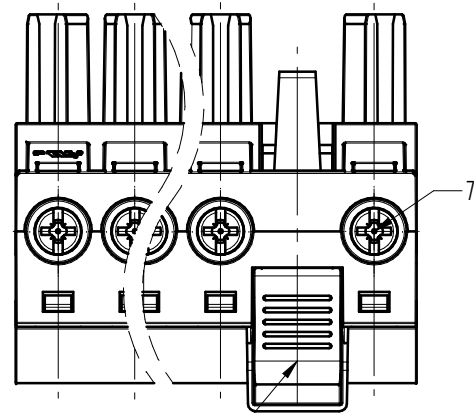
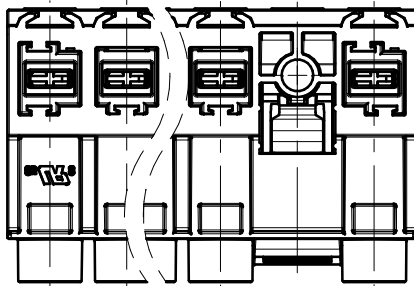
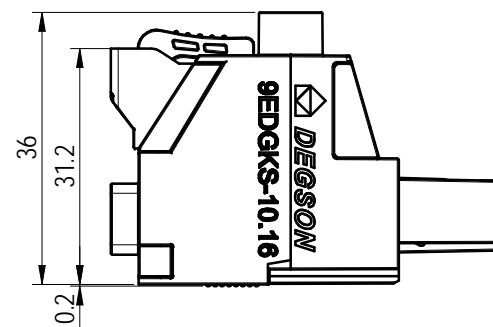
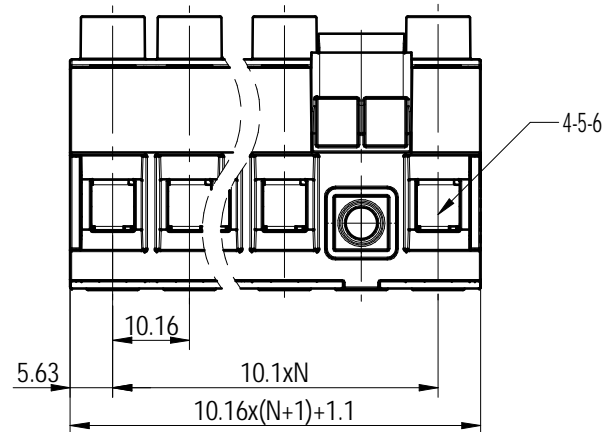
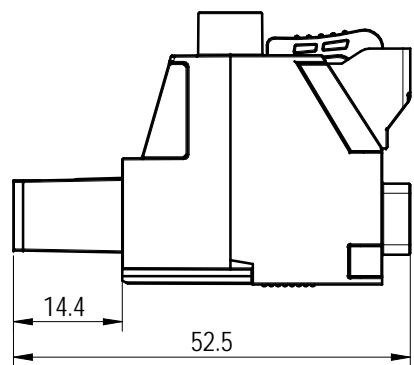


未注公差/General tolerances (mm)														
0	>3	>6	>10	>18	>30	>50	>80	>120	>180	>250	>315	>400	>500	0.1/10
~	~	~	~	~	~	~	~	~	~	~	~	~	~	±2'
3	6	10	18	30	50	80	120	180	250	315	400	500	>500	
±0.12	±0.18	±0.22	±0.26	±0.31	±0.37	±0.57	±0.80	±0.93	±1.05	±1.15	±1.60	±2.20	±2.50	

UL 标准/UL Standard:	B	C	D
额定电压/电流/Rated Voltage(V)/Current(A)	600/57	600/57	600/5
IEC 标准/IEC Standard:			
过压类别/Overvoltage Category/污染等级/Pollution Degred	III/3	III/2	II/2
额定电压/电流/Rated Voltage(V)/Current(A)	1000/78.3	1000/78.3	1000/78.3
额定脉冲电压(KV)/Rate Impulse Voltage(KV)	8	8	6
螺丝扭矩/Torque Tightening(N·m/Lb.in)	M4, 1.5/13.16		
线径范围(硬线和软线)/Wire Range(rigid and flexible)(AW)	22~6 /0.2~16		
间距/Pitch(mm)/线数范围/Poles	10.16/N=02~04P		
剥线长度/Stripping length(mm)	12		
使用温度范围/Operating temperature(°C)	-40~+120		
符合RoHS环保要求/Conform to RoHS	Yes		
标准颜色编号/Standard color number: PANTONE / RAL	black		



Lx: Refers to the fixed position in the X position from left to right



ITEM	NAME OF PART	MATERIAL	NOTES
7	Screw	Steel	M4/Zn_plated
6	Cage	Fe	M4/Zn_plated
5	Overspring	Stainless Steel	/
4	Clamp	Copper	Ag_plated
3	Button	PBT	UL94V-0
2	Cover	PA66	UL94V-0
1	Housing	PA66	UL94V-0

DEGSON		MATERIAL:	SURFACE/COLOR:	
APPD: David	2023-05-11	MAT NO./REV: -	MAT STATUS: 样品	
CHKD: David	2023-05-11	NAME		
DRFT: 曹心一	2023-05-11	9EDGKS-10.16-Lx-XXP-1Y-00Z(H)		
REV	ECN	DESCRIPTION	DRFT	DATE
00				
DRAWING NO. 200194019		TYPE CUSTOMER DRAWING	DRAWING STATUS work	SCALE 1:1
SHEET 1/1				

Transfer or duplication of this document as well as the utilization or communication of its contents are prohibited unless explicit authorization is granted. Violations will be liable for compensation. All rights reserved for patent, utility model or design registrations. 除经本公司书面许可外, 复制或传播本文件内容, 或在本文件内容基础上进行任何形式的使用, 均属于侵权行为, 本公司保留追究法律责任的权利。 未经授权, 禁止复制或传播本文件内容, 违者将承担法律责任。 所有权利保留。