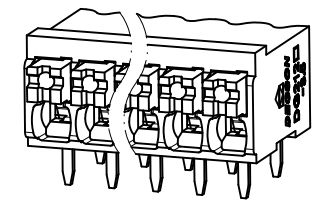
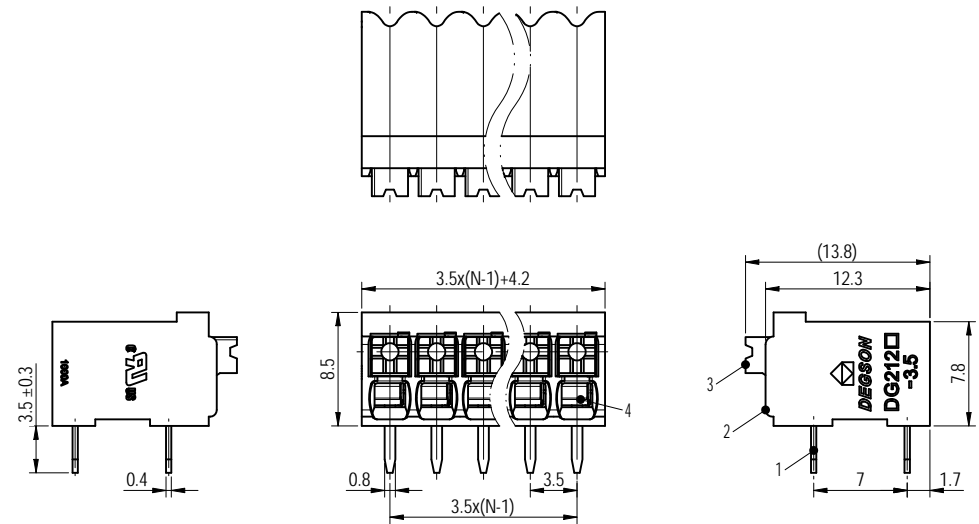
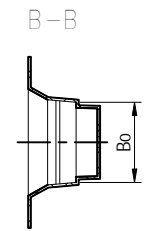
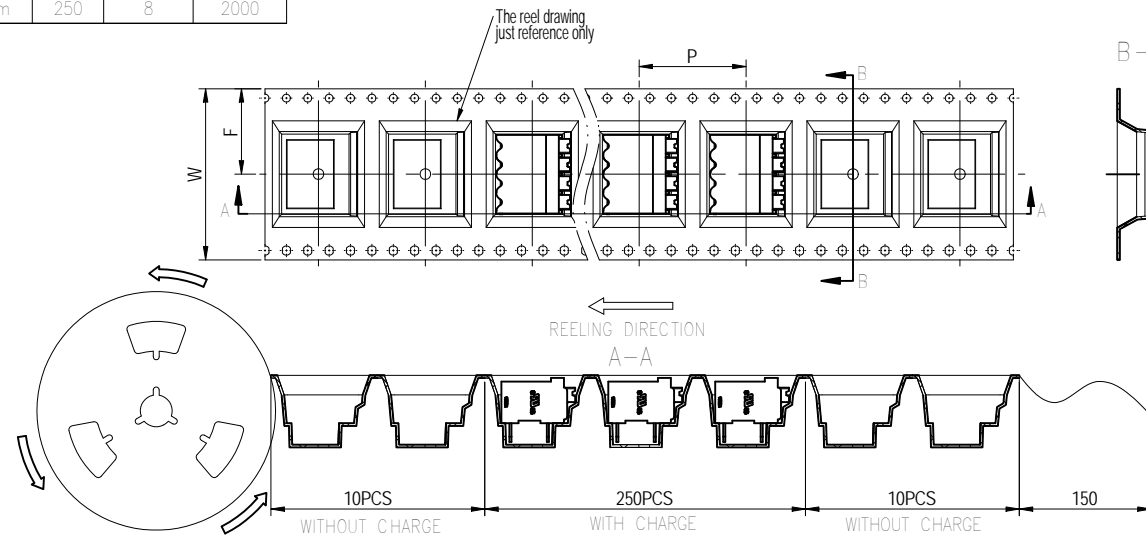
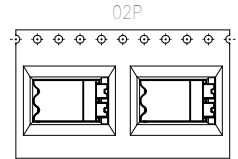


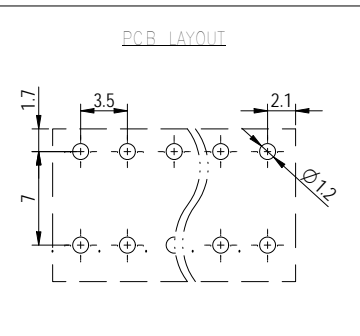
Reel Name	POLE	Width /W	Pitch /P	Width/F	Width/BO	Qty. per reel	Reel qty. per carton	Qty. per carton
DG212R-THR-3.5-02P-REEL(24)	02	24mm	20mm	11.5mm	8mm	250	10	2500
DG212R-THR-3.5-04P-REEL(32)	04	32mm	20mm	14.2mm	15mm	250	8	2000

未注公差 (General Tolerances)(mm)														
>3	>3	>6	>10	>18	>30	>50	>80	>120	>180	>250	>315	>400	>500	0.1/10
~3	~6	~10	~18	~30	~50	~80	~120	~180	~250	~315	~400	~500	~2.50	±2
±0.10	±0.18	±0.22	±0.28	±0.31	±0.37	±0.57	±0.80	±0.93	±1.05	±1.15	±1.60	±2.20	±2.50	±2



ITEM	NAME OF PART	MATERIAL	NOTES
4	Spring	Stainless steel	/
3	Button	PA66+GF	UL94V-0
2	Housing	Thermoplastic	UL94V-0
1	Pin header	Copper alloy	Sn plated

UL 标准/UL Standard:	B	C	D
额定电压/电压 (Rated Voltage(V)/Current(A))	300/12	/	300/10
IEC 标准/IEC Standard:			
过压类别/Overvoltage Category/污染等级/Pollution Degree	III/3	III/2	I/2
额定电压/电压 (Rated Voltage(V)/Current(A))	200/17.5	200/17.5	320/17.5
额定脉冲电压/(V)/Rate impulse Voltage(KV)	2.5	2.5	2.5
线径范围/硬线和软线/Wire Range(rigid and flexible)(AWG/mm²)	28~14/ 0.2~1.5		
间距/Pitch(mm)/线数范围/Poles	3.5(N)=02~20P		
引线长度/Stripping length(mm)	8~9		
使用温度范围/Operating temperature(°C)	-40~+130		
符合RoHS环保要求/Conform to RoHS	Yes		



DIGSON MATERIAL: - SURFACE/COLOR: /00 MAT STATUS: 批量

APPT: 竺泰华 2022.11.25 NAME: DG212R-THR-3.5-XXP-1Y-1000R(H)

CHKD: 陈超 2022.11.25

DRFT: 袁路勇 2022.11.24 DRAWING NO.: 200049654 TYPE: CUSTOMER DRAWING DRAWING STATUS: 已发布 SCALE: 2:1 SHEET: 1/1

REV	ECN	DESCRIPTION	DRFT	DATE
00			袁路勇	2022.11.24

Transfer or duplication of this document as well as the utilization of its contents without the written permission of Digson Electronics Co., Ltd. is prohibited. For compensation, all rights reserved. 未经许可，不得复制或传播本文件内容，也不得擅自使用本文件内容。如有侵权，本公司保留追究法律责任。 本文件如有修改，请及时通知本公司。 本文件仅供参考，不作为法律依据。 本文件如有修改，请及时通知本公司。 本文件仅供参考，不作为法律依据。