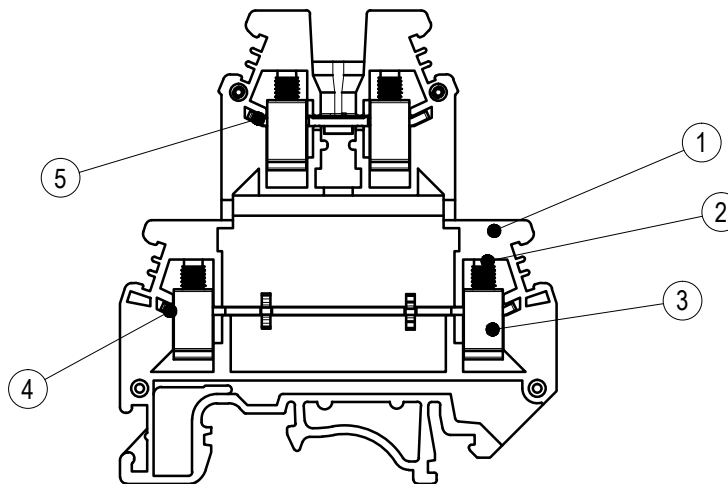
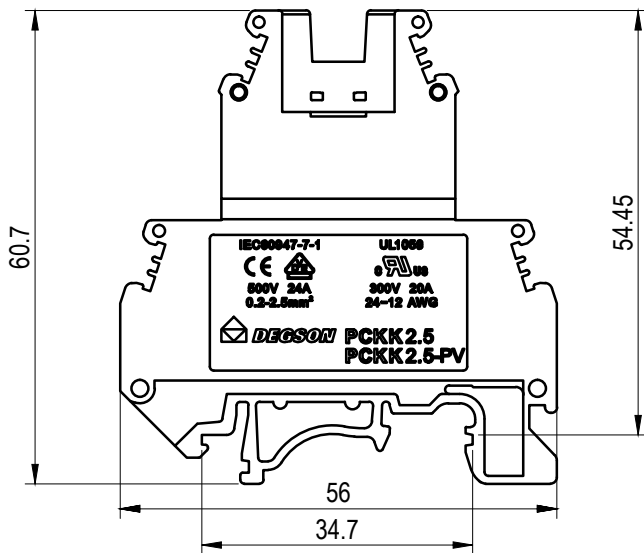
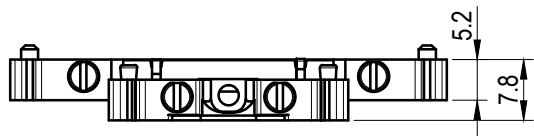


Transfer or duplication of this document as well as the utilization or communication of its contents are prohibited unless explicit authorization is granted. Violations will be liable for compensation. All rights reserved for patent, utility model or designs registrations. 未经授权，复制或传播本文件中的内容，或使用其中的专利、实用新型、外观设计、商标等，权利人将追究法律责任。本公司保留对变更的权利。所有权利保留。未经许可，不得擅自复制或传播。违反者需承担法律责任。本公司保留对变更的权利。所有权利保留。



未注公差/General tolerances(mm)													0.1/10	
0	>3	>6	>10	>18	>30	>50	>80	>120	>180	>250	>315	>400		>500
~3	~6	~10	~18	~30	~50	~80	~120	~180	~250	~315	~400	~500	~500	
±0.12	±0.18	±0.22	±0.26	±0.31	±0.37	±0.57	±0.80	±0.93	±1.05	±1.15	±1.60	±2.20	±2.50	±2'
UL 标准/UL Standard:												B	C	D
额定电压/电流/Rated Voltage(V)/Current(A)												300/20	/	300/10
IEC 标准/IEC Standard:														
过压类别/Overvoltage Category/污染等级/Pollution Degree												III/3	III/2	II/2
额定电压/电流/Rated Voltage(V)/Current(A)												500/24	/	/
额定脉冲电压(KV)/Rate Impulse Voltage(KV)												6	/	/
螺丝扭矩/Torque Tightening(N·m/Lb.in)												M3, 0.5/4.5		
线径范围(硬线和软线)/Wire Range(rigid and flexible)(AWG/mm²)												24~12 / 0.2~2.5		
线数范围/Poles												N=01P		
剥线长度/Stripping length(mm)												8~9		
使用温度范围/Operating temperature(°C)												-40~+105		
符合RoHS环保要求/Conform to RoHS												Yes		
标准颜色编号/Standard color number: PANTONE / RAL												/		

5	Short carrier fluid	Copper	Sn Plated
4	Long carrier fluid	Copper	Sn Plated
3	Cage	Copper alloy	Ni Plated
2	Screw	Copper alloy	Ni Plated
1	Housing	PA66	UL94V-0
ITEM	NAME OF PART	MATERIAL	NOTES

		MATERIAL: /		SURFACE/COLOR: /	
APPD: Peng M 2022.09.27		MAT NO./REV: /		MAT STATUS: /	
CHKD: Gao WG 2022.09.27		NAME			
DRFT: Huang RJ 2022.09.27		PCKK2.5-01P-1Y-00A(H)			
DRAWING NO. /		TYPE		DRAWING STATUS	
A4		CUSTOMER DRAWING		/	
SCALE		SHEET		/	
1:1		1/1		/	

00	/	/	Huang RJ	2022.09.27
REV	ECN	DESCRIPTION	DRFT	DATE