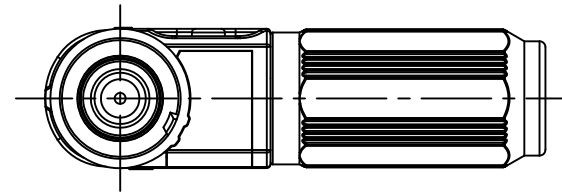
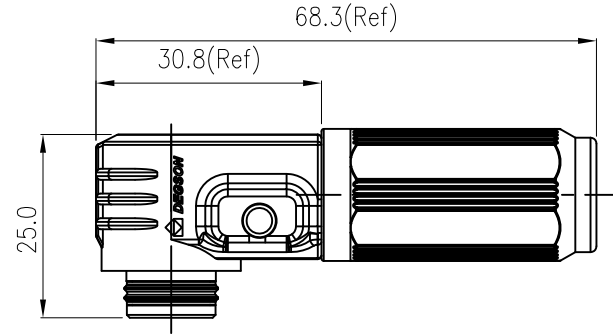
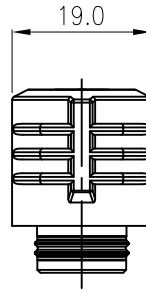
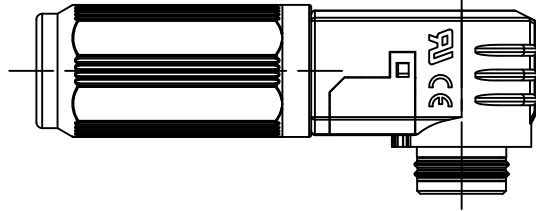
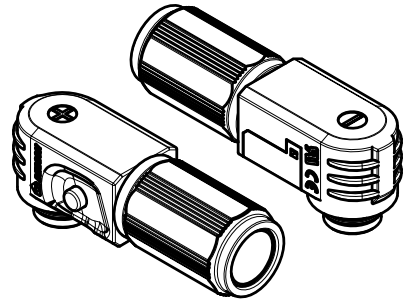


Transfer or duplication of this document as well as the utilization or communication of its contents are prohibited unless explicit authorization is granted. Violations will be liable for compensation. All rights reserved for patent, utility, model or designs registrations. 除非给予明确授权，否则禁止转让、复制、利用、交易本文件的内容。侵犯者将承担法律责任。 实用新型专利权和发明专利的所有权利。



ESP-120A-25-XX-00

COLOR: BK: BLACK 负极
OR: ORANGE 正极
RD: RED 正极

WIRE RANGE: 25: 25mm²

CURRENT: 120A

Dimensional tolerance(mm)					0.10/10 ±3°
0 ~ 30	>30 ~ 60	>60 ~ 100	>100 ~ 150	>150	
±0.40	±0.50	±0.70	±0.90	±1.20	

额定电压电流/Rated Voltage/Current	1500V DC/120A
绝缘电阻/Insulation resistance	≥5000MΩ
接触电阻/Contact resistance	≤0.5mΩ
插拔次数/Mechanical working life(mating cycles)	>100
使用温度范围/Operating temperature(°C)	-40~+125 (including temperature rise)
接线方式/Terminal	Crimp
线径OD/Wire OD(mm)	7.5-9
剥线长度/Stripping length(mm)	13~14
防护等级/Ingress Protection	IP67(Mated)
符合RoHS环保要求/Conform to RoHS	Yes

REV	ECN	DESCRIPTION	DRFT	DATE

MATERIAL:		SURFACE:			
MAT NO.:		宁波高松电子有限公司 NINGBO DEGSON ELECTRICAL CO., LTD			
STATUS: /					
APPD:		NAME: ESP-120A-25-XX-00			
CHKD:		DRAWING NO.: /			
DRFT: Chen C 2022.08.19		REV		00	
⊕	SIZE: A4	TYPE: CUSTOMER DRAWING		SCALE: 1:1	SHEET 1/1