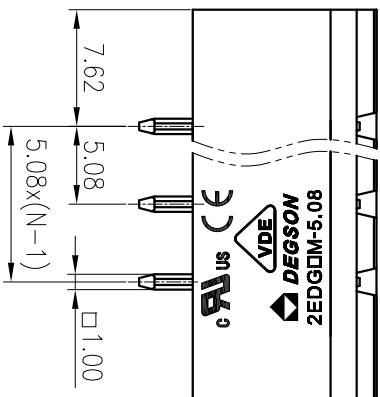
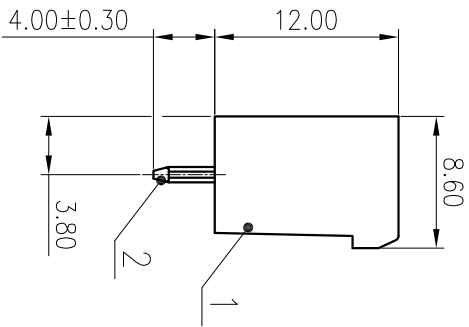
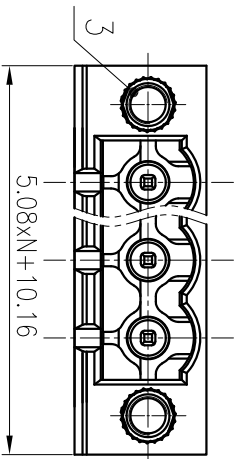
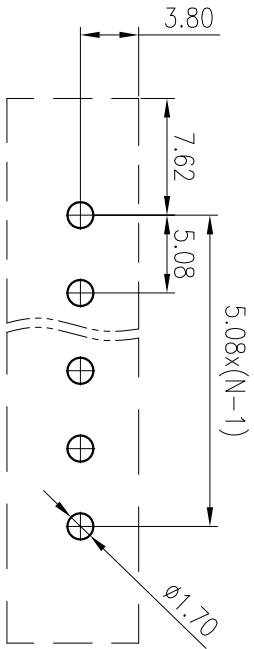


PCB LAYOUT



公差 (mm)		公差 (mm)	
0	>3	>6	>10
~	~	~	~
3	6	10	18
±0.12	±0.18	±0.22	±0.26
±0.31	±0.37	±0.57	±0.80
±1.05	±1.15	±1.60	±2.20
±2.50	±2.50	±2.50	±2.50
0.1/10	±2		

ITEM	NAME OF PART	MATERIAL	NOTES
3	Nut	Copper alloy	/
2	Pin	Copper	Sn Plated
1	Housing	PA66	UL94V-0

UL 标准/UL Standard:	B	C	D
额定电压/电流 /Rated Voltage(V)/Current(A)	300/15	/	300/10
EC 标准/IEC Standard:			
过压类别/Overvoltage Category/污染等级/Pollution Degree	III/3	III/2	II/2
额定电压/电流 /Rated Voltage(V)/Current(A)	/	320/20	/
额定脉冲电压(KV)/Rate Impulse Voltage(KV)	/	4	/
线数范围/Poles		N=02~22P	
使用温度范围/Operating temperature(°C)		-40~+105	
符合RoHS环保要求/Conform to RoHS		Yes	

SURFACE:

MATERIAL:

MAT NO.:

STATUS:

APPD: Lan CHH 2020.05.21

CHKD:

DRFT: LuZhh 2019.07.01

SIZE: A4

REV

宁波高松电子有限公司
NINGBO DEGSON ELECTRICAL CO., LTD

2EDGVM-5.08-XXP-1Y-100A(H)

DRAWING NO.: 2EDGVM-5.08-004

TYPE: CUSTOMER DRAWING

SCALE: 2:1

1/1

管发中心
文研专用

2020.05.21

(仅限内部使用, 对外无效)

REV	ECN	DESCRIPTION	DRFT	DATE