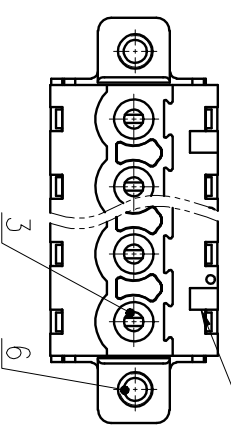
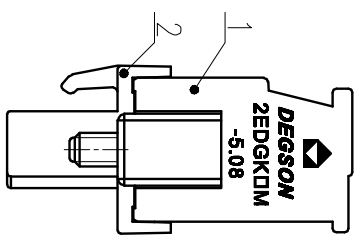
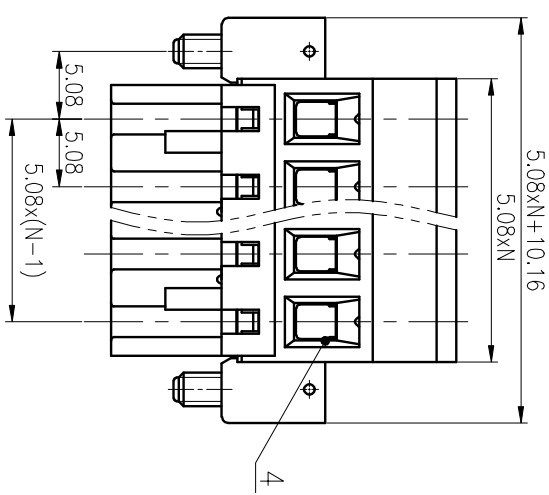
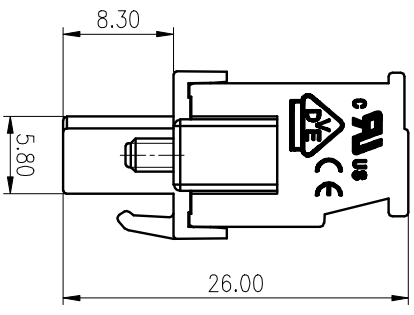
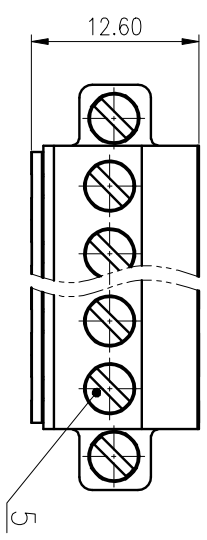


公差等级/General Tolerances(mm)		公差等级/General Tolerances(mm)										公差等级/General Tolerances(mm)	
0	>3	>6	>10	>18	>30	>50	>80	>120	>180	>250	>315	>400	0.1/10
~	~	~	~	~	~	~	~	~	~	~	~	~	~
3	6	10	18	30	50	80	120	180	250	315	400	500	~
±0.12	±0.18	±0.22	±0.26	±0.31	±0.37	±0.57	±0.80	±0.93	±1.05	±1.15	±1.60	±2.20	±2.50
±2													



02P: Clasp on the right from this view

ITEM	NAME OF PART	MATERIAL	NOTES
1	Housing	PA66	UL94V-0
2	Cover	PA66	UL94V-0
3	Clamp	Copper alloy	Sn Plated
4	Cage	Copper alloy	M3/Ni Plated
5	Screw 1	Steel	M3/Zn Plated
6	Screw 2	Steel	M2.5/Zn Plated

UL 标准 / UL Standard:	B	C	D
额定电压/电涌 / Rated Voltage(V)/Current(A)	300/15	/	300/10
IEC 标准 / IEC Standard:	III/3		
过压类别 / Overvoltage Category / 污染等级 / Pollution Degree	III/2		
额定电压/电涌 / Rated Voltage(V)/Current(A)	/	320/18	/
额定脉冲电压 (KV) / Rated Impulse Voltage(KV)	/	4	/
额定扭矩 / Torque Tightening(N·m/Lbin)	M3: 0.6/5.30		
导线范围 (硬导线/软线) / Wire Range(rigid and flexible)(mm ² /AWG)	1.0~2.5/28~12		
间距 / Pitch(mm) / 极数 / Poles	5.08/N=02~22P		
剥线长度 / Stripping length(mm)	7		
工作温度范围 / Operating temperature(°C)	-40~+105		
符合 RoHS 环保要求 / Conform to RoHS	Yes		

MATERIAL: / SURFACE: /

MAT NO.: / STATUS: /

APPD: Lon CHH 2020.05.28
CHKD:Gong YZh 2020.05.28

NAME: **DEGSON® NINGBO DEGSON ELECTRICAL CO., LTD**
DRAWING NO.: ZEDGKAM-5.08-C03
DRAFT: YIn DK 2020.05.28
TYPE: CUSTOMER DRAWING

REV	ECN	DESCRIPTION	DRAFT	DATE	SIZE: A4	SCALE: 2:1	SHEET
1					mm		1/1
2					inch		
3							
4							
5							
6							

A B C D

A

B

C

D