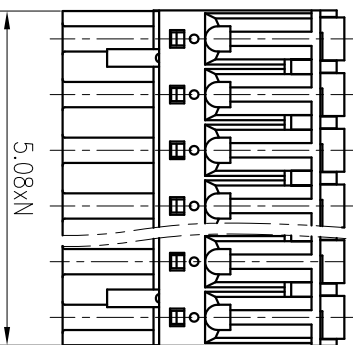
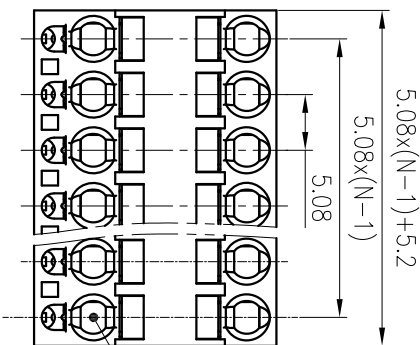
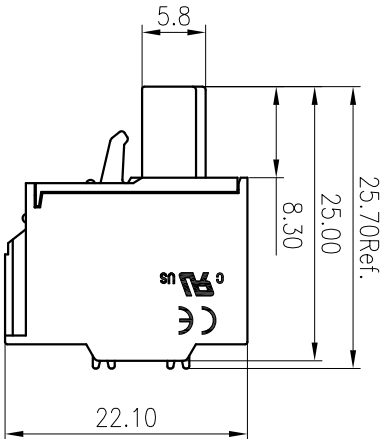
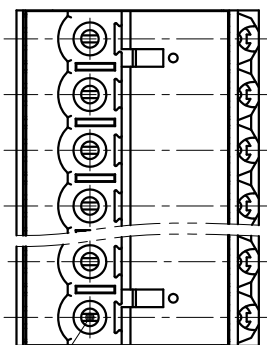
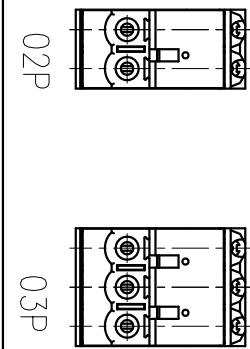


公差/General Tolerances(mm)		公差/General Tolerances(mm)													
0	>3	>6	>10	>18	>30	>50	>80	>120	>180	>250	>315	>400	0.1/1/0		
2	~	~	~	~	~	~	~	~	~	~	~	~	~		
3	6	10	18	30	50	80	120	180	250	315	400	500	±2		
±0.12		±0.18	±0.22	±0.26	±0.31	±0.37	±0.47	±0.57	±0.80	±0.93	±1.05	±1.15	±1.60	±2.20	±2.50



ITEM	NAME OF PART	MATERIAL	NOTES
5	Button	PA66	UL94V-0
4	Spring	Stainless steel	/
3	Clamp	Copper alloy	Sn Plated
2	Cover	PA66	UL94V-0
1	Housing	PA66	UL94V-0

REV	ECN	DESCRIPTION	DRFT	DATE
1				

MATERIAL:	/	SURFACE:	/
MAT NO.:	/	宁波高松电子有限公司 NINGBO DEGSON ELECTRICAL CO., LTD	
STATUS:	/	NAME: 2EDGKDH-5.08-XXP-1Y-00A(H)	
APPD: LiGL	2020.06.20	DRAWING NO.: 2EDGKDH-5.08-C01	
CHKD: MeK	2020.06.20	TYPE: CUSTOMER DRAWING	
DRFT: LY	2017.08.01	SCALE: 1:5.1	REV T1
SIZE: A4	mm	1/1	

UL 标准/UL Standard:	B	C	D
额定电压/电压/Rated Voltage(V)/Current(A)	300/12	/	300/10
EC 标准/IEC Standard:			
过压类别/Overvoltage Category/污染等级	III/3	III/2	II/2
额定电压/电压/Rated Voltage(V)/Current(A)	250/12	320/12	630/12
额定脉冲电压(KV)/Rate Impulse Voltage(KV)	4	4	4
额定扭矩/Torque Tightening(N·m/Lb.in)	/	/	/
线径范围(硬线和软线)/Wire Range(rigid and flexible)(mm ² /AWG)	0.2~2.5/26~12		
间距/Pitch(mm)/线数范围/Poles	5.08/N=02~24P		
剥线长度/Stripping length(mm)	9~10		
使用温度范围/Operating temperature(°C)	-40~+105		
符合RoHS环保要求/Conform to RoHS	Yes		
标识颜色/Standard color number:	/		
PANTONE / RAL	/		