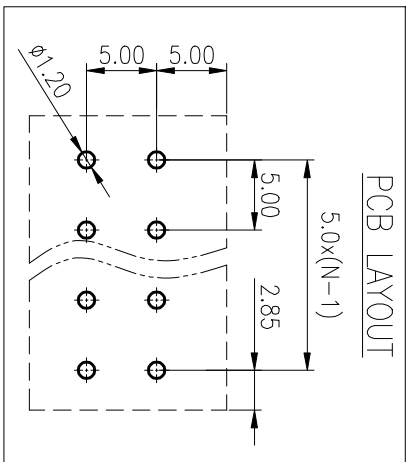
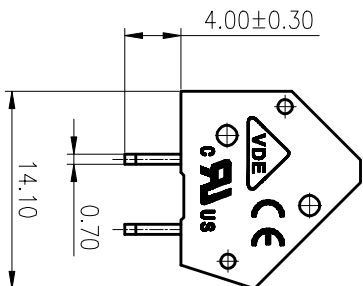
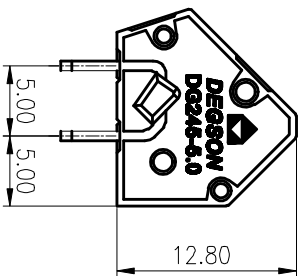
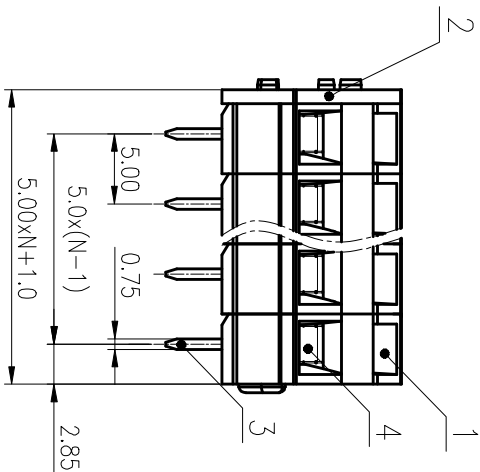
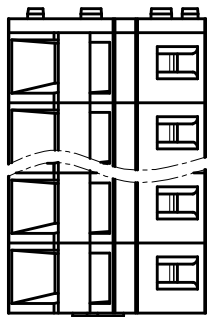


公差等级/General Tolerances(mm)		公差等级/General Tolerances(mm)										公差等级/General Tolerances(mm)																	
0	>3	>6	>10	>18	>30	>50	>80	>120	>180	>250	>315	>400	0.1/1/10																
~	~	~	~	~	~	~	~	~	~	~	~	~																	
3	6	10	18	30	50	80	120	180	250	315	400	500	±Z																
±0.12		±0.18		±0.22		±0.26		±0.31		±0.37		±0.57		±0.80		±0.93		±1.05		±1.15		±1.60		±2.20		±2.50		±Z	



MATERIAL:	/	SURFACE:	/
MAT NO.:	/		
STATUS:	/		
APPD:	Li GL 2020.06.10	NAME:	DG245-5.0-XXP-1Y-00A(H)
CHKD:	MaEK 2020.06.10	DRAWING NO.:	DG245-5.0-C01
DRT:	WangW 2020.06.10	TYPE:	CUSTOMER DRAWING
REV	ECN	DESCRIPTION	DRT
DATE			
SIZE: A4	SCALE: 2:1	REV	1/1

ITEM	NAME OF PART	MATERIAL	NOTES
4	Spring	Stainless steel	/
3	Pin header	Copper alloy	Sn Plated
2	Cover	PA66	UL94V-0
1	Housing	PA66	UL94V-0

UL 标准/UL Standard:	B	C	D
额定电压/电涌/Rated Voltage(V)/Current(A)	300/15	/	300/10
IEC 标准/IEC Standard:			
过压类别/Overvoltage Category/污秽等级/Pollution Degree	III/3	III/2	II/2
额定电压/电涌/Rated Voltage(V)/Current(A)	/	450/17	/
工频耐压/Withstanding Voltage(V/1Min)	AC2500		
线芯范围(硬线和软线)/Wire Range(rigid and flexible)(mm ² /AWG)	0.2~2.5/28~12		
间距/Pitch(mm)/线数范围/Poles	5.0/N=02~24P		
剥线长度/Stripping length(mm)	5~6		
使用温度范围/Operating temperature(°C)	-40~+105		
符合RoHS要求/Conform to RoHS	Yes		

宁波高松电子有限公司
NINGBO DEGSON ELECTRICAL CO., LTD

DG245-5.0-XXP-1Y-00A(H)

