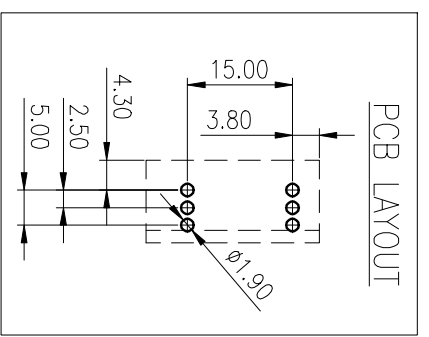
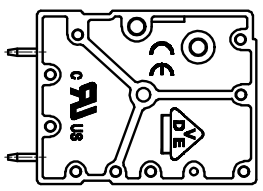
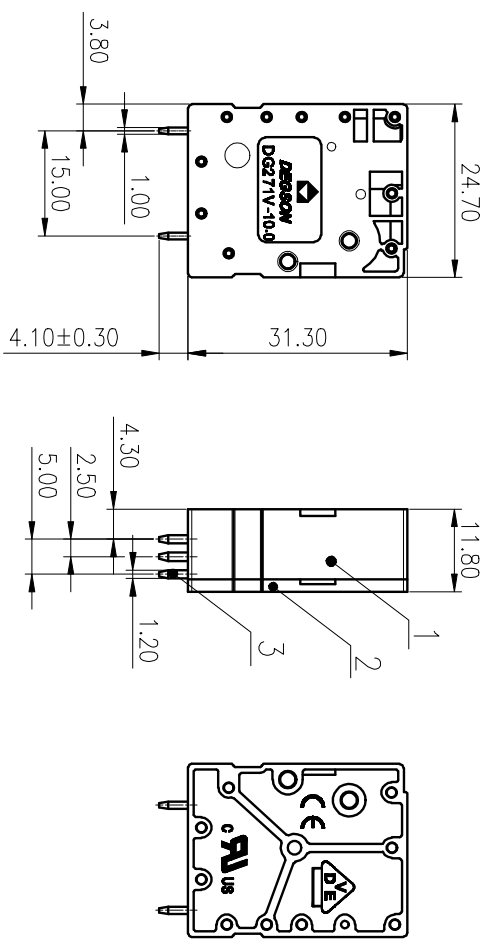
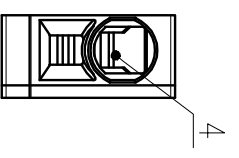


公差等级/General	Tolerances(mm)										0.1/10		
0	>3	>6	>10	>18	>30	>50	>80	>120	>180	>280	>315	>400	0.1/10
~	~	~	~	~	~	~	~	~	~	~	~	~	
3	6	10	18	30	50	80	120	180	280	315	400	500	±Z
±0.12	±0.18	±0.22	±0.26	±0.31	±0.37	±0.57	±0.80	±0.93	±1.05	±1.15	±1.60	±2.20	



4	Spring	Stainless steel	/
3	Pin header	Copper	Sn Plated
2	Cover	PA66	UL94V-0
1	Housing	PA66	UL94V-0
ITEM	NAME OF PART	MATERIAL	NOTES
UL 标准 /UL Standard:	B	C	D
额定电压/电涌/Rated Voltage(V)/Current(A)	300/70	/	300/10
IEC 标准 /IEC Standard:	B	C	D
过压类别 /Overvoltage Category /污秽等级 /Pollution Degree	III / 3	II / 2	II / 2
额定电压/电涌/Rated Voltage(V)/Current(A)	1000/76	1000/76	1000/76
额定脉冲电压(KV)/Rate Impulse Voltage(KV)	8	8	8
绝缘电阻(绝缘和导线)/Wire Range(rigid and flexible)(mm ² /AWG)	0.2~16/20~4		
间距/Pitch(mm)/导线直径/Wires	10.0/01P		
剥线长度/Stripping length(mm)	17-18		
使用温度范围/Operating temperature(°C)	-40~+105		
符合RoHS环保要求/Conform to RoHS	Yes		

MATERIAL: /

MAT NO.: /

STATUS: /

APPD: Li GL 2020.05.15

CHKD: MoEK 2020.05.15

DRAFT: HS 2017.01.09

NAME: **DEGSON® NINGBO DEGSON ELECTRICAL CO., LTD**
宁波高松电子有限公司

DRAWING NO.: DG271V-10.0-C04

TYPE: CUSTOMER DRAWING

REV	ECN	DESCRIPTION	DRAFT	DATE	SIZE: A4	SCALE: 1:1	SHEET