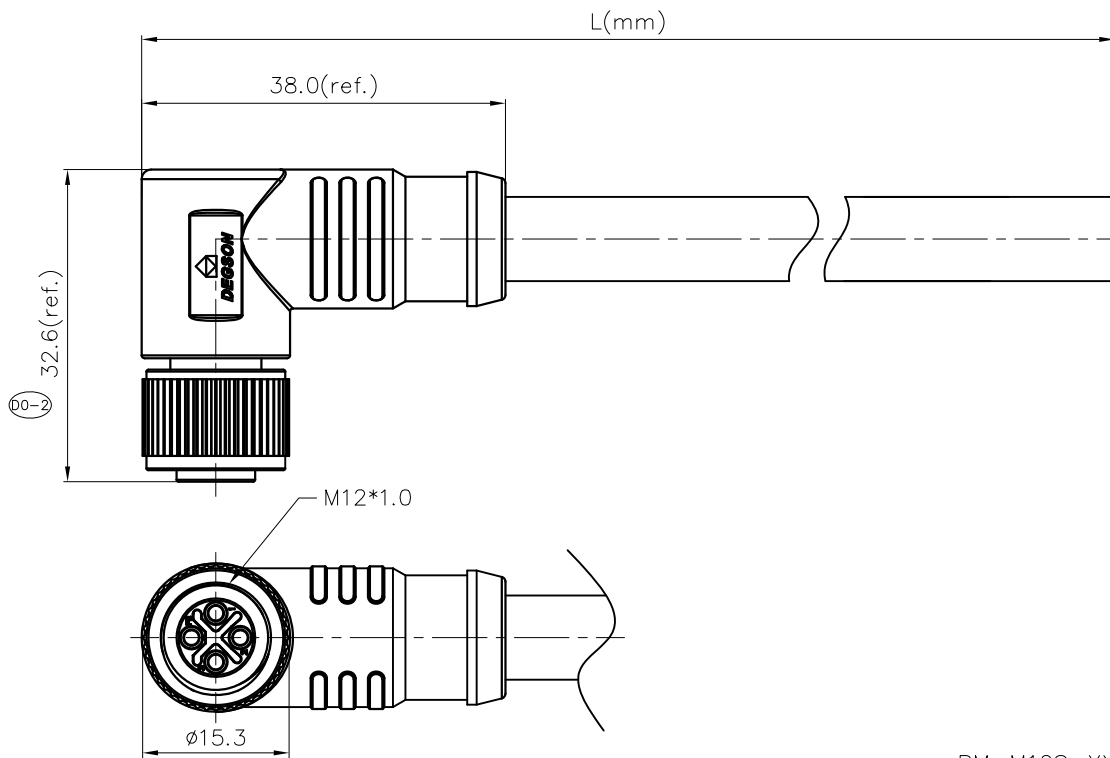


REVISION RECORD

REV	ECN	DESCRIPTION	DRFT	DATE



NOTES:

- Rated voltage/current : 3pin S: 630V / 12A  
4pin S: 630V / 12A
- Withstanding voltage : 3pin: AC3420V/1Min  
4pin: AC3420V/1Min
- Levels of protection: IP68
- Cable specifications :  
3pin S: 3C\*16AWG/1.5mm<sup>2</sup>,UL2570/UL20940  
4pin S: 4C\*16AWG/1.5mm<sup>2</sup>,UL2570/UL20940
- Wire connection mode: soldering
- Operating temperature: -25°C~+80°C
- RoHS Compliance
- Tolerance : ±0.5mm

PM-M12S-XXP-FF-SR8XXX-00A(H)

Pin number: 03,04

Cable jacket:  
A: PVC UL2570;  
B: PUR UL20940

Cable length L:  
01: 1M  
...

99: 99M

The line grows business trip:  
01~05m: ± 50mm  
06~10m: ± 100mm  
11~30m: ± 200mm  
31~99m: ± 500mm

3pin S Coding		4pin S Coding	
Pin Assignments Front View		Pin Assignments Front View	
PE	Yellow/Green	PE	Yellow/Green
3	Black 3	3	Black 3
1	Black 1	2	Black 2
Pin	Wire Color	Pin	Wire Color
Pin Out		Pin Out	

DETACHED LISTS	PART NO.: PMM12SXXPFFSR8XXX00AH		宁波高松电子有限公司 NINGBO DEGSON ELECTRICAL CO., LTD	
	APPD:		NAME: PM-M12S-XXP-FF-SR8XXX-00A(H)	
	CHKD:		TITLE: CUSTOMER DRAWING	
	DRFT: SQ 2019.06.18		REV	D0-2
	THIRD ANGLE PROJECTION		DRAWING NO.: XXXXXXXX-XX-CXX	SHEET 1/1
		MM (INCH)	DO NOT SCALE DRAWING	SCALE 1:1