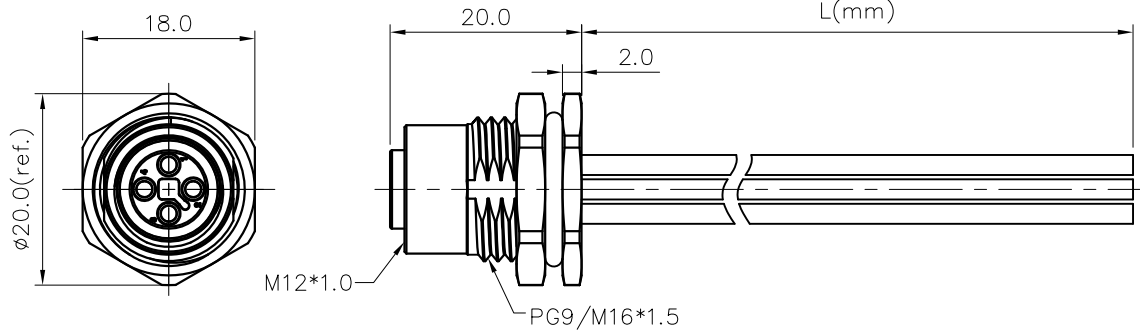


REVISION RECORD				
REV	ECN	DESCRIPTION	DRFT	DATE

NOTES:

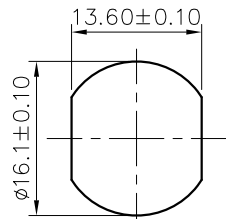
- Rated voltage/current : 3pin T: 63V / 12A
4pin T: 63V / 12A
- Withstanding voltage : 3pin: AC1126V/1Min
4pin: AC1126V/1Min
- Levels of protection: IP68
- Cable specifications :
3pin T: 16AWG/1.5mm²,UL1015
4pin T: 16AWG/1.5mm²,UL1015
- Wire connection mode: soldering
- Operating temperature: -25°C~+80°C
- For Panel Thickness Max: 4.5mm
- RoHS Compliance
- Tolerance :
.X ±0.25mm
.XX ±0.1mm
∠ ±1°



SD-M12T-XXP-FF-SF8XXX-00A(H)

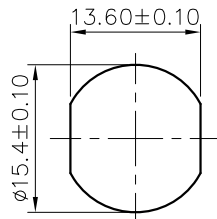
Pin number: 03,04
 Thread specification:
 A: PG9;
 B: M16*1.5
 XX: 150~1500mm
 15: 150±15mm
 30: 300±20mm
 50: 500±20mm
 A0: 1000±40mm
 A5: 1500±40mm
 Wire Length L: 150~1500mm

Thread specification:
M16*1.5



Panel Mounted

Thread specification:
PG9



Panel Mounted

3pin T Coding		4pin T Coding	
Pin Assignments Front View		Pin Assignments Front View	
4	Black	4	Black
3	Blue	3	Blue
1	Brown	2	White
Pin	Wire Color	Pin	Wire Color
Pin Out		Pin Out	

DETACHED LISTS	PART NO.: SDM12TXXPPFFSF8XXX00AH		宁波高松电子有限公司 NINGBO DEGSON ELECTRICAL CO., LTD	
	APPD:		NAME: SD-M12T-XXP-FF-SF8XXX-00A(H)	
	CHKD:		TITLE: CUSTOMER DRAWING	
	DRFT: SQ 2019.05.17		REV	D0-1
	THIRD ANGLE PROJECTION		DRAWING NO.: XXXXXXXX-XX-CXX	SHEET 1/1
		DO NOT SCALE DRAWING	SCALE 1:1	