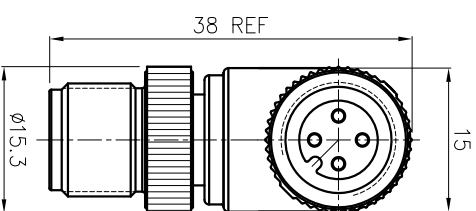
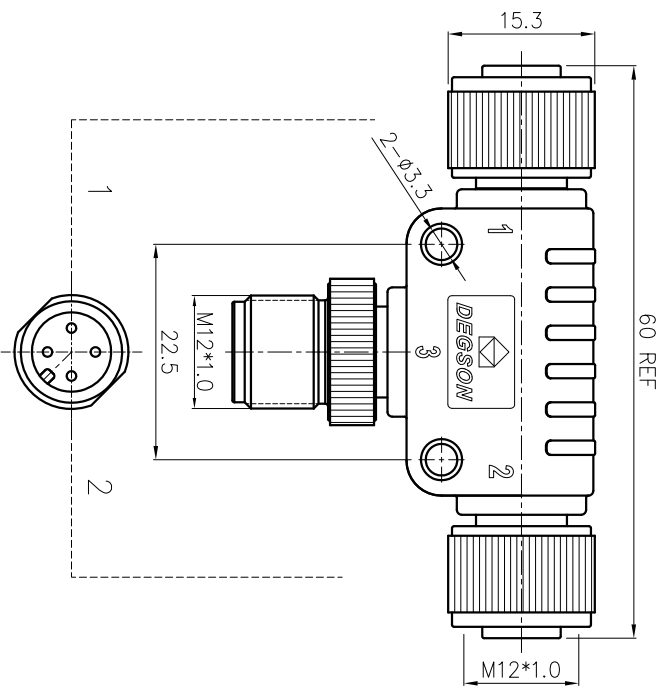
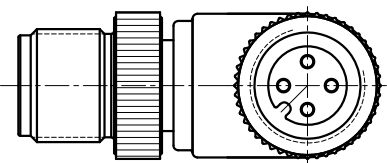
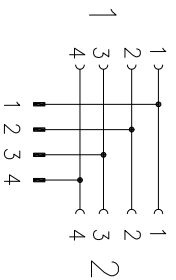


| REVISION RECORD | | |
|-----------------|-----|-------------|
| REV | ECN | DESCRIPTION |
| | | DRAFT DATE |



Circuit diagram:



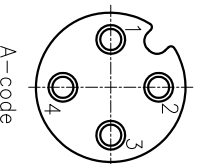
NOTES:

- 1.RoHS Compliance,
- 2.The Code direction is shown as diagram,
- 3.Housing material: PU(Color:black),
- 4.Contact body material: PU(Color:black),
- 5.Contact material: Copper alloy;(plating: gold)
- 6.0 Ring material: Silicone,(Color: green)
- 7.Screw material: Zinc alloy (plating: Ni),

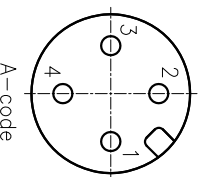
Technique parameter

| | |
|-----------------------|-------------|
| Rated voltage | 250V |
| Rated current | 4A |
| Insulation resistance | ≥100MΩ |
| Withstanding voltage | 1500 AC |
| Operating temperature | -25°C~+85°C |
| Levels of protection | IP67 |
| Cable OD | / |

Female(Front view)



Male(Front view)



1 brown

2 white

3 blue

4 black

NO. Color

Dimensional tolerance (mm)

| | | | | |
|-------|---------|----------|-----------|-------|
| ≤30 | 30 ~ 60 | 60 ~ 100 | 100 ~ 150 | >150 |
| ±0.20 | ±0.30 | ±0.50 | ±0.70 | ±1.00 |

DETACHED LISTS

| | |
|------------------------|-----------------------|
| PART NO.: | FTM12A04MM12A04F00200 |
| APPD: | |
| CHKD: | |
| DRAFT: | WYM 2019/05/23 |
| THIRD ANGLE PROJECTION | |

| | |
|--------------|---|
| NAME: | DEGSON® NINGBO DEGSON ELECTRICAL CO., LTD |
| TITLE: | ASSEMBLY DRAWING |
| DRAWING NO.: | 20000787 |
| REV | TO-1 |
| SHEET | 1/1 |
| SCALE | 1:1 |

宁波高松电子有限公司

NINGBO DEGSON ELECTRICAL CO., LTD

ASSEMBLY DRAWING

20000787

DO NOT SCALE DRAWING

SCALE 1:1