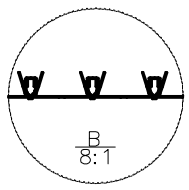
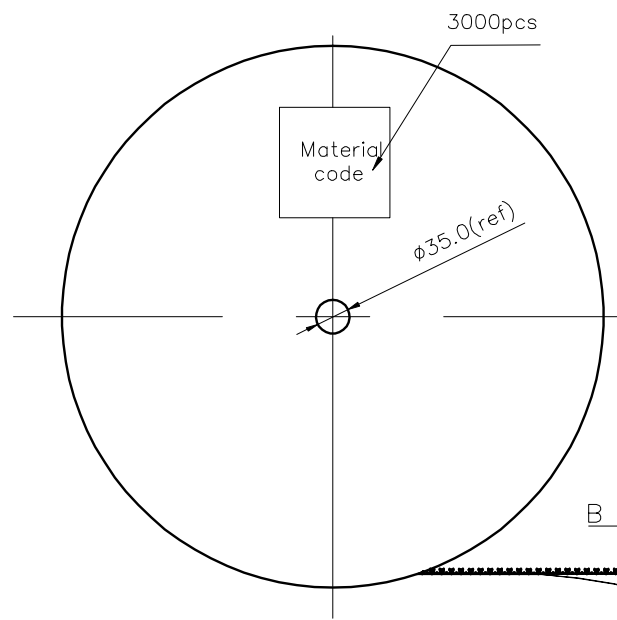
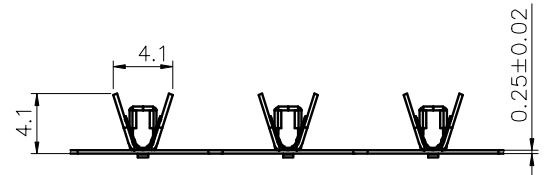
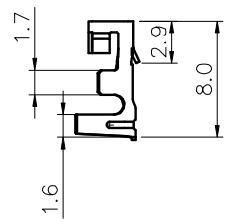
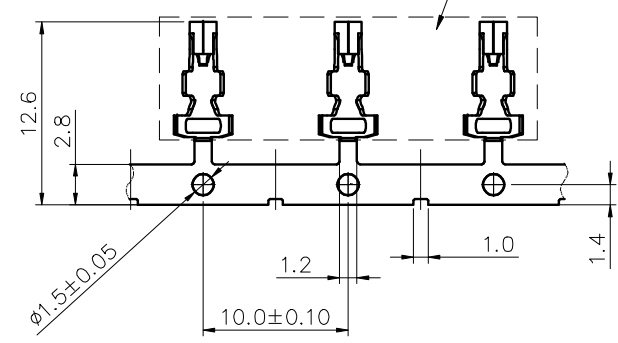
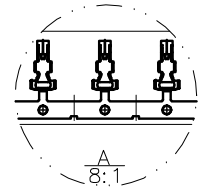

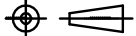



REVISION RECORD				
REV	ECN	DESCRIPTION	DRFT	DATE

镀金区域



- NOTES:
1. Material: phosphor bronze ,T=0.25mm
  2. Surface treatment: nickel plated all over gold plated at contact area
  3. 3000 Pieces of contact are supplied in reel
  4. Wire size: AWG#18~#20(0.5mm<sup>2</sup>~0.8mm<sup>2</sup>)
  5. Insulation outer diameter:  $\phi$ 1.5~ $\phi$ 2.2
  6. Tolerance: .x  $\pm$ 0.1  
.xx  $\pm$ 0.05  
 $\angle$   $\pm$  1'

DETACHED LISTS	PART NO.: 24030000003		 宁波高松电子有限公司 NINGBO DEGSON ELECTRICAL CO., LTD	
	APPD:		NAME:	
	CHKD:		<b>DGFA-00A(H)</b>	
	DRFT: HD 2020.07.07		TITLE: CUSTOMER DRAWING	REV
 THIRD ANGLE PROJECTION		DRAWING NO.: DGFA-E01	SHEET	1/1
		 MM (INCH)	DO NOT SCALE DRAWING	SCALE 1:1