

REVISION RECORD				
REV	ECN	DESCRIPTION	DRFT	DATE

Technical characteristics:

Specifications  
 DIN EN 60 664-1  
 DIN EN 61 984

Inserts

- 01. Number of contacts : 8/24+PE
- 02. Rated Current : 16A/10A
- 03. Rated Voltage : 230V/400V  
Rated Voltage : 160V
- 04. Pollution degree : 3
- 05. Rated impulse voltage : 4kV/2.5kV
- 06. Insulation resistance :  $\geq 10^9 \Omega$
- 07. Material: Polycarbonate
- 08. Rated voltage acc. to UL/CSA: 600V/300V
- 09. Limiting temperatures : -40°C~+125°C
- 10. Flammability acc. to UL94: V0
- 11. Mechanical working life (mating cycles) :  $\geq 500$

Contacts

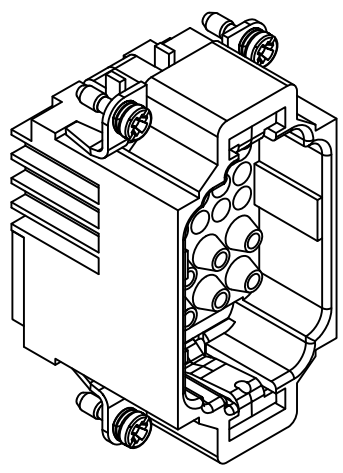
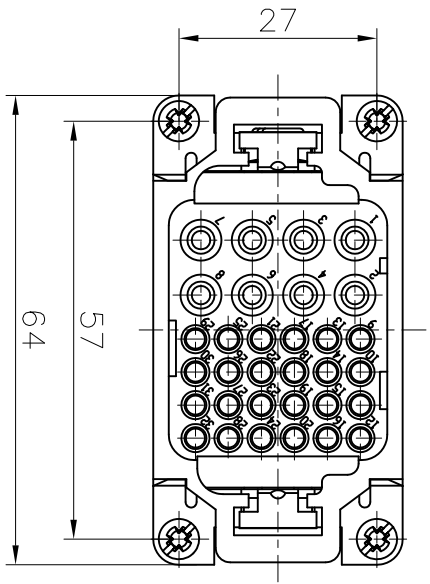
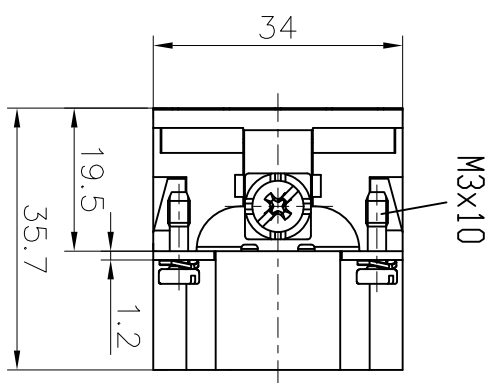
Power contacts

- 01. Material: Copper alloy
- 02. Surface: hard-Gold plated  
: hard-Silver plated
- 03. Contact resistance :  $\leq 1m\Omega$
- 04. Terminal : Crimp terminal
- 05. Wire gauge : 0.5-4mm<sup>2</sup> (AWG20-12)
- 06. Stripping length : 7.5mm

Signal contacts

- 01. Material: Copper alloy
- 02. Surface : hard-Gold plated  
: hard-Silver plated
- 03. Contact resistance :  $\leq 3m\Omega$
- 04. Terminal : Crimp terminal
- 05. Wire gauge : 0.37-2.5mm<sup>2</sup> (AWG26-14)
- 06. Stripping length : 6~8mm
- 07. Robs Compliance

Note: Crimp contact pins should order separately



DETACHED LISTS			
PART NO.:	/	NINGBO DEGSON ELECTRICAL CO., LTD	
APPD:		宁波高松电子有限公司	
CHKD:		DK-8/24-MC	
DRFT:	Mr. Yqng 2016.10.08	TITLE:	CUSTOMER DRAWING
THIRD ANGLE PROJECTION		DRAWING NO.:	/
		DO NOT SCALE DRAWING	SCALE
		1:1	1:1

A 8 7 6 5 4 3 2 1