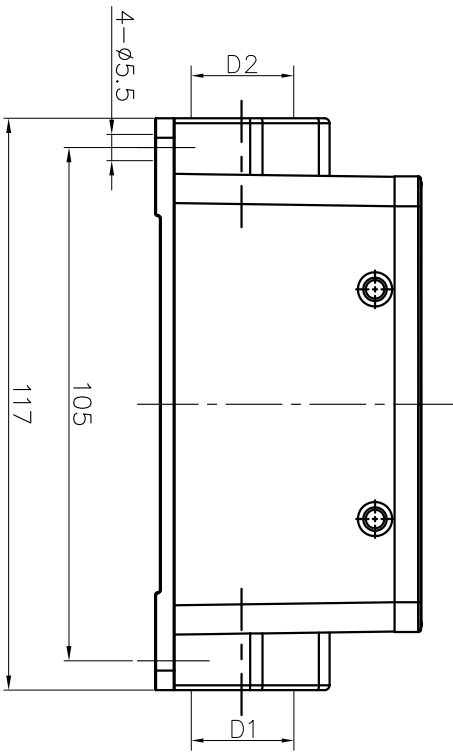
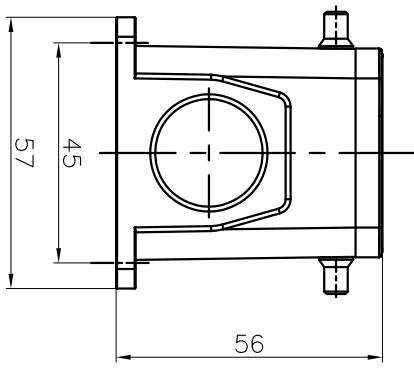
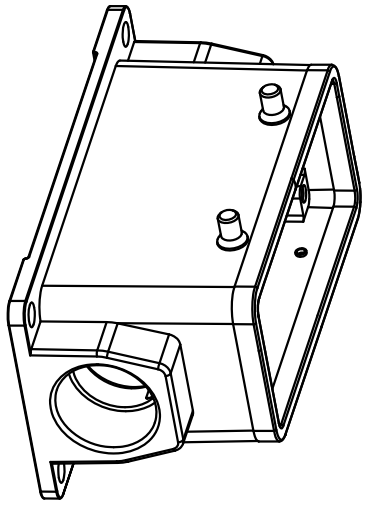


TYPE	Thread		Selection
	D1	D2	
D16B-SF-4g-M25	M25	—	
D16B-SF-4g-2M25	M25	M25	
D16B-SF-4g-PG21	PG21	—	
D16B-SF-4g-2PG21	PG21	PG21	

REVISION RECORD				
REV	ECN	DESCRIPTION	DRFT	DATE



Housings Feature

1. Material: aluminium die-cast
2. Surface: Powder-coated
3. Color: grey (RAL 7037)
4. Sealing: NBR
5. Limiting temperatures: -40°C ~ +125°C
6. Flammability acc to UL94: V0
7. Degree of protection acc. to EN60529 for coupled connector: IP65
8. Rohs compliance

DETACHED LISTS			
PART NO.:	/	NAME:	DEGSON 宁波高松电子有限公司 NINGBO DEGSON ELECTRICAL CO., LTD
APPR.:		D16B-SF-4g-M/PG	
CHKD.:		TITLE:	CUSTOMER DRAWING
DRFT:	Mr. yding 2017/06/28	DRAWING NO.:	
THIRD ANGLE PROJECTION		DO NOT SCALE DRAWING	SCALE
		1:1.5	