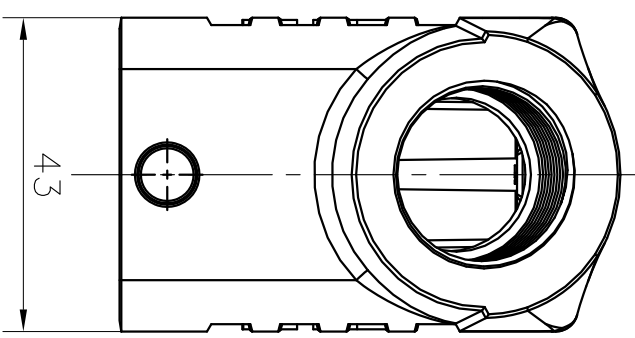
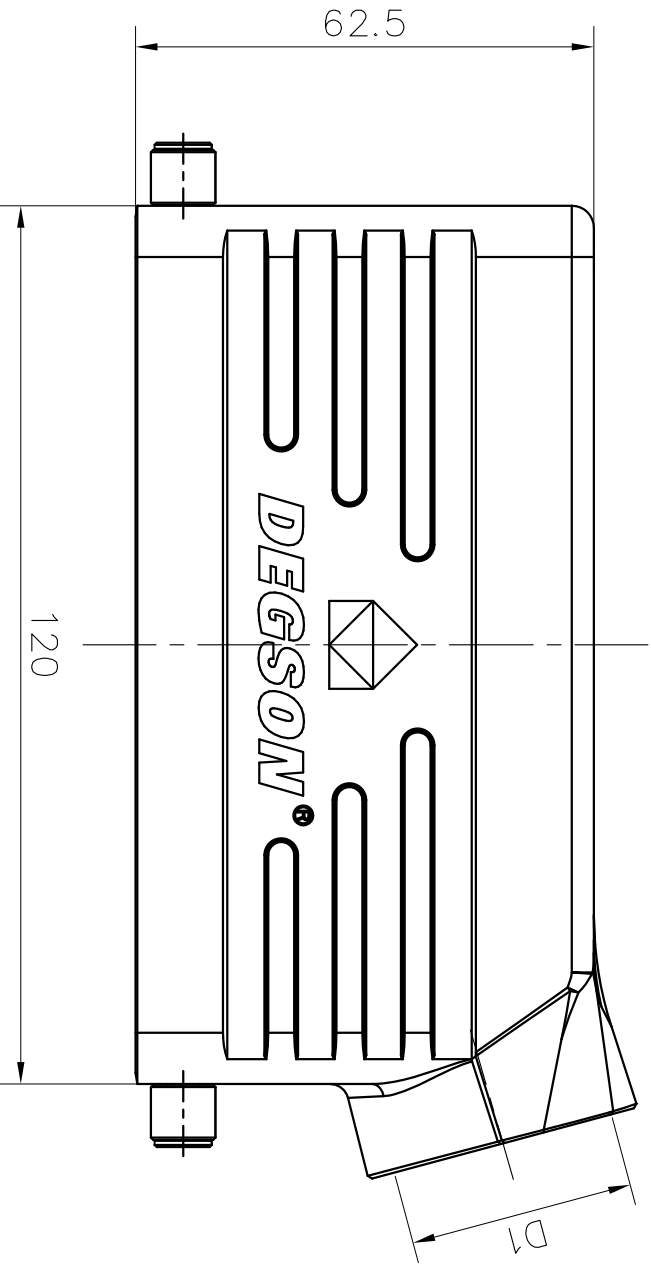
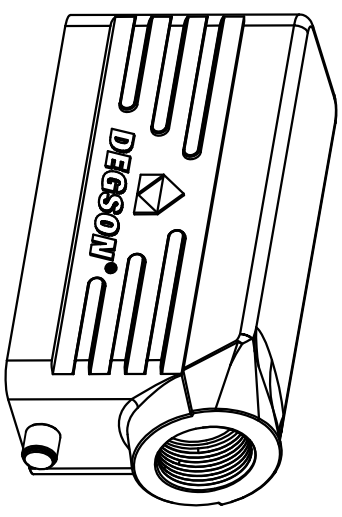


TYPE	Thread(D1)	Selection
D24B-SF-2g-M25	M25	
D24B-SF-2g-M32	M32	
D24B-SF-2g-PG21	PG21	

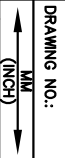
REVISION RECORD				
REV	ECN	DESCRIPTION	DRFT	DATE



- Hoods Feature**
1. Material: aluminium die-cast
  2. Surface: Powder-coated
  3. Color: grey (RAL 7037)
  4. Limiting temperatures: -40°C ~ +125°C
  5. Flammability acc to UL94: V0
  6. Degree of protection acc. to EN60529 for coupled connector: IP65
  7. Rohs compliance



DETACHED LISTS			
PART NO.:	/	NAME:	<b>DEGSON</b> NINGBO DEGSON ELECTRICAL CO., LTD 宁波高松电子有限公司
APPR.:		TITLE:	D24B-SF-2g-M/PG
CHKD.:		DRAWING NO.:	
DRFT:	Mr. yong 2017/06/28	TITLE:	CUSTOMER DRAWING
		REV	DO-1
		SHEET	1/1
		SCALE	1:1



THIRD ANGLE PROJECTION

A 8 7 6 5 4 3 2 1