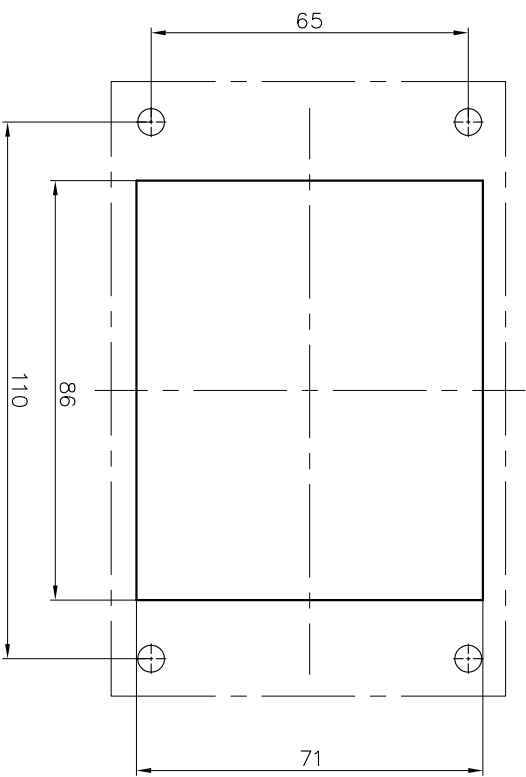
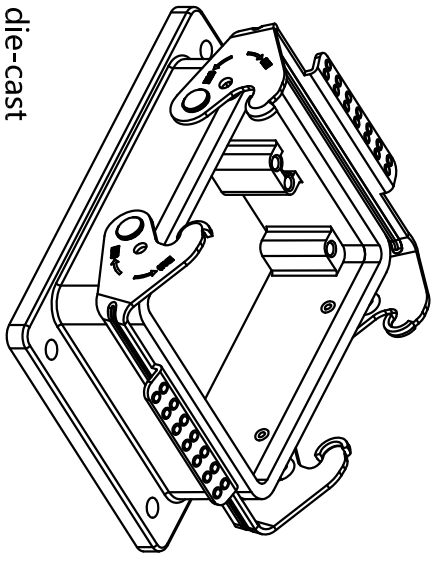
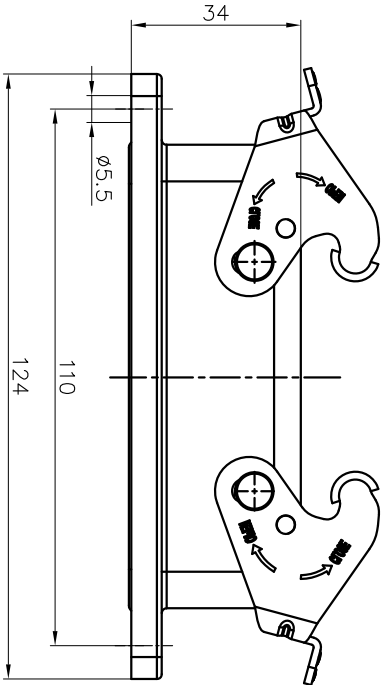
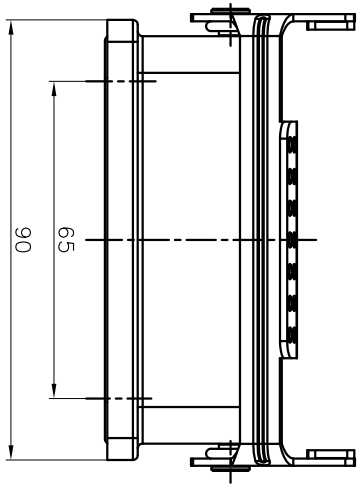


REVISION RECORD				
REV	ECN	DESCRIPTION	DRFT	DATE



Panel cut out

Housings Feature

1. Material: aluminium die-cast
2. Surface: Powder-coated
3. Color: grey (RAL 7037)
4. Material: Metal (Lever)
5. Sealing: NBR
6. Limiting temperatures: -40°C ~ +125°C
7. Flammability acc to UL94: V0
8. Degree of protection acc.to EN60529 for coupled connector : IP65
9. Rohs compliance

DETACHED LISTS			
PART NO.:	DEGSON	NAME:	D322B-BK-2L
APPR:			NINGBO DEGSON ELECTRICAL CO., LTD
CHKD:			宁波高松电子有限公司
DRFT: Mr. yang	2016.08.15	TITLE:	CUSTOMER DRAWING
		DRAWING NO.:	
			DO NOT SCALE DRAWING
		REV	DO-1
		SHEET	1/1
		SCALE	1:1.5

A 8 7 6 5 4 3 2 1